

MODELS DRY-800-1000



FEATURES

Built in stainless steel. AISI 304
CE Certification
Motorized belt with adjustable speed
Water collection tray
Photocell automatic starting

WEIGHT

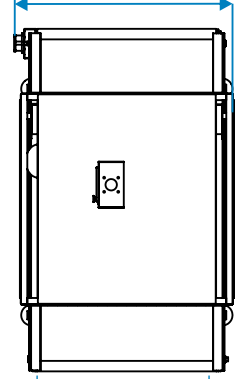
300 Kg. Aprox.

ELECTRICITY

Voltage 400V
Phases 3P+N+Ground
Frequency 50/60 Hz
3 kW maximum power

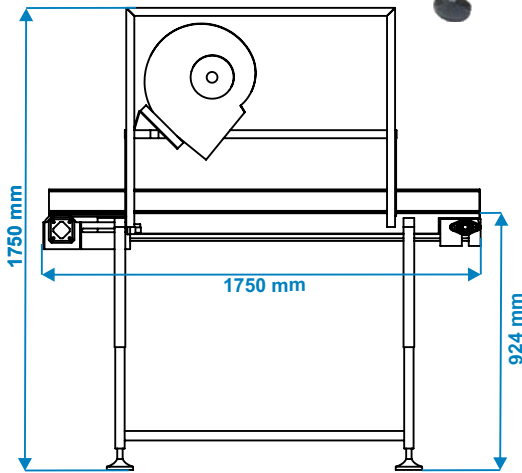


DRY 800 = 1030 mm
DRY 1000 = 1230 mm



SELECT MODEL

DRY 800 mm
DRY 1000 mm



VCC MACHINE

SHRINK

DRYER

